



## Audible Alarm

### Description

This general purpose audible alarm provides any AC/DC alarm output circute an inexpensive but powerful horn/tone. The small size (1.687" dia.) makes panel mounting easy. The Audible Alarm is broadly selected as a display and controller option. To order, simply include "Audible Alarm" option.

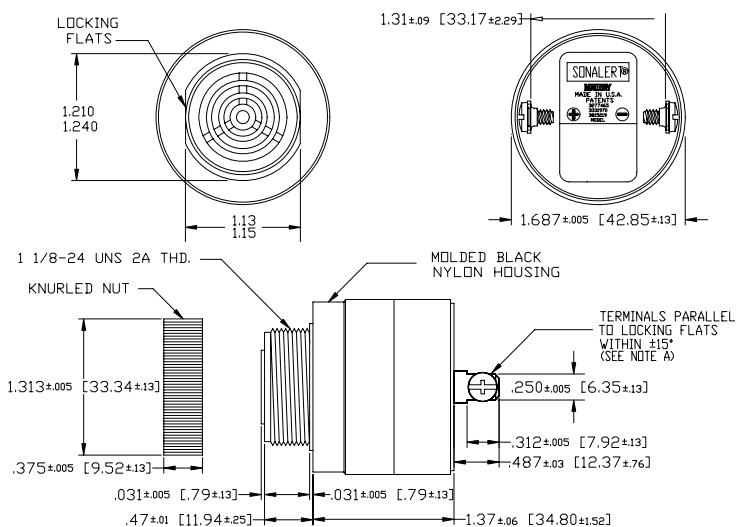
### Specifications

Sound level category	Medium Sound Level
Mode of operation	Countinuous tone
Mounting	Panel (see note B)
Voltage rating	30 to 120 Vac/dc
Frequency	2900 Hz $\pm$ 500 Hz
Loudness (Min. Voltage)	68 dB (A) min. @ 2 FT and 30 Vac/dc
Loudness (Max. Voltage)	80 dB (A) min. @ 2 FT and 120 Vac/dc
Current Draw	7 mA Max @ 30 Vac/dc
Current Draw	19 mA Max @ 120 Vac/dc
Storage Temperature	-40°C to + 85°C
Operating Temperature	-30°C to + 65°C
Weight (Typical)	1.6 oz (45 g)
Housing	6/6 Nylon, Color Black
Options	For other options contact factory



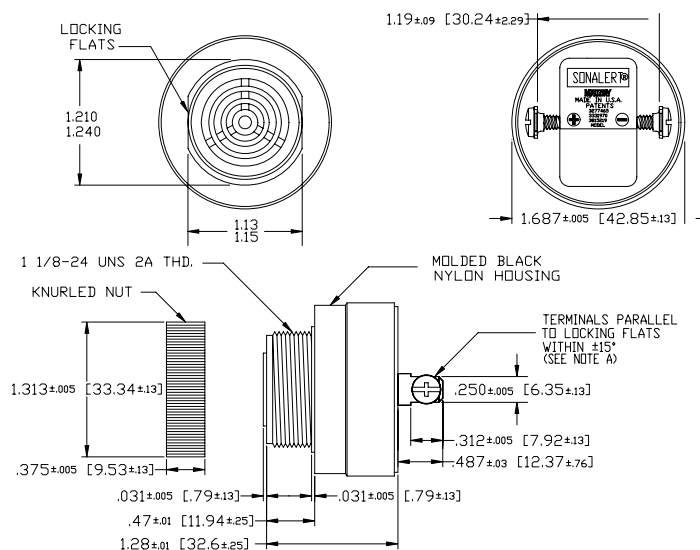
### Dimensions

Inces (mm)



NOTE A: TERMINALS-.032 BRASS TIN PLATED, TAPPED FOR #6-32 SCREW. TWO #6-32 NICKEL PLATED BRASS SCREWS INCLUDED. WILL ACCEPT 1/4" QUICK CONNECT.

NOTE B: MOUNTING- REMOVE BLACK PLASTIC NUT AND INSERT THREADED FRONT THROUGH 1.25" HOLE PUNCHED IN PANEL, IF ORIENTATION IS NEEDED, NOTE LOCKING FLATS ON DRAWING. SCREW NUT BACK ON. DO NOT OVERTIGHTEN.



NOTE A: TERMINALS-.032 BRASS TIN PLATED, TAPPED FOR #6-32 SCREW. TWO #6-32 NICKEL PLATED BRASS SCREWS INCLUDED. WILL ACCEPT 1/4" QUICK CONNECT.

NOTE B: MOUNTING- REMOVE BLACK PLASTIC NUT AND INSERT THREADED FRONT THROUGH 1.25" HOLE PUNCHED IN PANEL, IF ORIENTATION IS NEEDED, NOTE LOCKING FLATS ON DRAWING. SCREW NUT BACK ON. DO NOT OVERTIGHTEN.