

GearFlo PDX2™

TWO-WIRE METER MOUNTED FLOW TRANSMITTER DATA SHEET



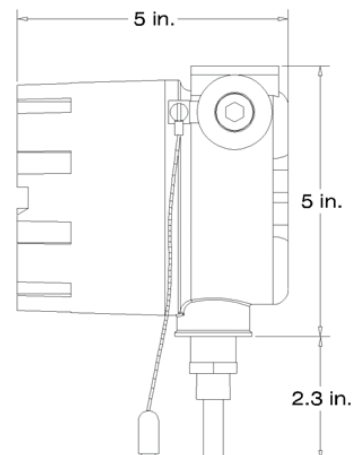
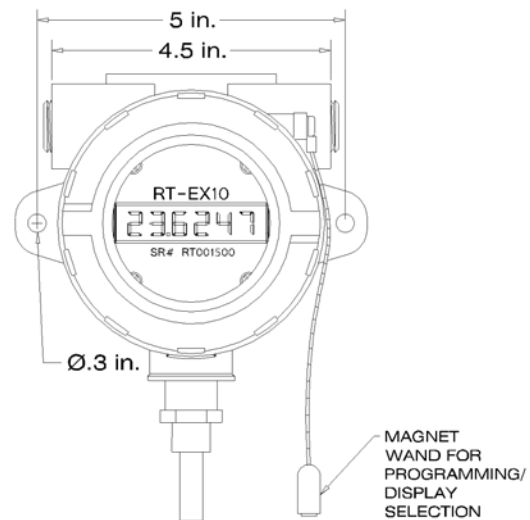
DESCRIPTION

The GearFlo™ PDX2 is a two-wire, meter mounted flow transmitter that is compatible with most PDFlo flow meters. The PDX2 is used in a wide variety of applications where ease of operation and flexibility are required. A NEMA 4X enclosure houses a large 6-digit LCD display screen where either flow rate or total is continuously displayed in the cutcustomers selected and programmed engineering units. The selection of rate, total, reset of the total, programmable sleep mode and the real-time clock can be done via magnet - without opening the enclosure. A long life field replaceable battery provides power for a period of 4 years - depending on the units configuration.

SPECIFICATIONS

Power	Internal 3.6V "C" Cell Battery (Field Replaceable); 4-year battery power (average life)
Sensor/ Transmitter Frequency Range	0-3,000 Hz Max.
Temperature Rating	-4° to 140° F (-20° to 60° C) Ambient 175° F (80° C) Max. Fluid Temperature
Output Options	4-20 mA, loop powered; Pulse output scalable to 100 Hz.
Enclosure Certifications	Class I, Groups B, C, D Class II, Groups E, F, G Class II ATEX: EExd IIC, IP68 NEMA 4X FM Class No. 3615 CSA Class 1, Div 1 Certification Pending

DIMENSIONS



Note: Please Consult Factory for Special Requirements

FEATURES & BENEFITS

- Digital meter mounted flow transmitter
- 6-Digit LCD display
- 4-20 mA loop powered output
- Flow rate, total, real-time clock
- Gate time function
- Sleep mode for battery conservation
- All functions can be magnetically operated
- A battery life indicator, estimated 4 year life

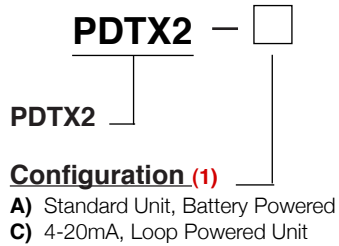
Ordering Information

FLO-CORP MODEL NUMBER BUILDER

For Assistance Call **877.356.5463**

Use the diagram below, working from left to right to construct your FLO-CORP Model Number.
Simply match the category number to the corresponding box number.

Example: PDX2-A *GearFlo PDX2 Two-Wire meter mounted flow transmitter with standard unit 4-20mA configuration, loop powered*



Ordering Notes:
(1) Select the best configuration based on your requirements.