

# GearFlo PDHG™

POSITIVE DISPLACEMENT HELICAL GEAR FLOW METER



## DESCRIPTION

GearFlo™ Positive Displacement Helical Gear Flow Meter is constructed of two highly accurate cycloid shaped screw spindles that mesh and rotate inside the cylindrical housing with two overlapping holes in the form of a figure 8, which forms the measuring chamber. The medium flow in an axial direction rotating the spindles without pulsation.

This meter is highly accurate with wider measuring ranges, and is largely independent of your fluid viscosity. The lower pressure drop compared with other flow metering types makes this meter perfect for measuring polyurethanes and polymer, glues and sealing materials and heavy fuel oils.

## FEATURES & BENEFITS

- Flow ranges 0.003 to 105 GPM
- 5 Flow ranges available
- Turn down ratio of over 1:100
- 303/316 stainless steel construction
- Pressure rating up to 6000 PSI
- Lower pressure loss
- Great for highly filled & abrasive fluids
- High resolution

## SPECIFICATIONS

<b>Body Material</b>	303 SS or 316 SS
<b>O-Ring</b>	Teflon, Viton or EPDM
<b>Accuracy</b>	± 0.5% of actual reading
<b>Repeatability</b>	± 0.1%
<b>Temperature</b>	150° C / 300° F (higher temperature meters available upon request)
<b>**Porting</b>	BSP, NPT adapters available

*Note: Please Consult Factory for Special Requirements*

## FLOW METER WITH TRANSMITTER



Capacity Designator (1)	Flow Range (Gal/Min) (2)	Impulse/Gallon	Dia (in)	Length (in)	Port Size (BSP) (3)	Wt (lbs)	Pressure Rating (PSI)
00	0.003 - 1	62,500	2.3	4.0	1/4"	5	6,000
01	0.01 - 4.0	34,500	3.0	4.9	4.9	9	6,000
02	0.1 - 11	13,300	3.4	6.1	3/4	14	6,000
03	0.25 - 26	3,230	4.4	8.7	1"	32.0	6,000
04	1 - 105	810	5.25	12.5	1 - 1/2"	70	6,000

(1) This value designates flow range in the model number.

(2) This range represents the meter's flow range (Min-Max)

(3) Based on BSP connection ports. Standard NPT connection or BSP connection ports are available.

\* Products may be subject to change without notice - Contact factory for current information.

# Ordering Information

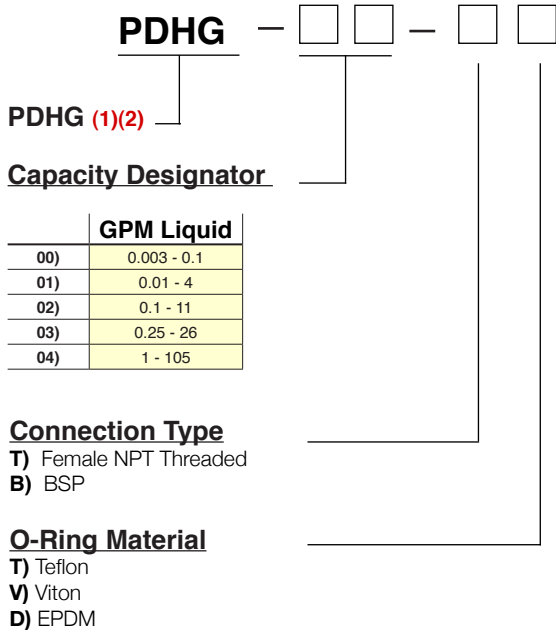
## FLO-CORP MODEL NUMBER BUILDER

For Assistance Call **877.356.5463**

Use the diagram below, working from left to right to construct your FLO-CORP Model Number.  
Simply match the category number to the corresponding box number.

**Example: PDHG-02-TV**

*GearFlo PDHG Helical Gear Flow Meter, 0.1 - 11 GPM Liquid, Female NPT Threaded Connection with Viton O-Ring Material.*



**Ordering Notes:**  
**(1)** Select the best configuration based on your requirements.  
**(2)** GearFlo sensor at Transmitter is required.  
 For assistance, please contact factory.