



# TruFlo™ DC Air Flow Switch

## Features & Benefits

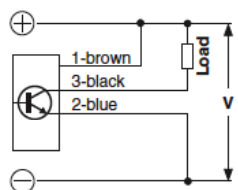
- Compact flow switch with rugged Stainless Steel or plastic Ultradur construction
- High accuracy with NO moving parts
- 24 VDC power supply
- Set-point adjustable between 3 fps and 32 fps
- Temperature independent
- Easy installation with mounting flange (included)

## TruFlo Description

This industrial purpose flow switch is a great choice for monitoring a variety of air or gaseous applications. TruFlo features solid-state switching and is extremely reliable even under the harshest environmental conditions. TruFlo features a repeatable alarm, an adjustable set-point from 3 to 32 feet per second, and LED indication of flow. The short housing is intended for use in pipe sizes 1/2" to 1 1/2" in diameter and the long housing is recommended for pipe sizes 2" and up. Typical applications include air conditioning, ventilation, air filter monitoring, extraction fans, blowers, damper regulators and energy conservation systems.

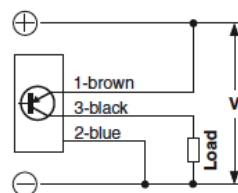
## Connection Diagram

### NPN-transistor output



- NNC**    **NNC:** NPN Normally Closed
- NNO**    **NNO:** NPN Normally Open

### PNP-transistor output



- PNC**    **PNC:** PNP Normally Closed
- PNO**    **PNO:** PNP Normally Open

## Specifications



Service	Compatible Gasses
Switching Range	3 to 32 fps (1 to 10 mps)
Factory set-point	10 fps (3 mps)
Pressure	CFTF-U: 15 psi (1 bar) CFTF-S: 150 psi (10 bar)
Hysteresis	≤ 30%
Switching Delay	Min. 3 s/ Max. 100 s (depends on set-point adjustment)
Temperature Drift	< 0.5% / K
Supply Voltage	24 VDC ±10%
Residual Ripple	20%
Switching Current	500 mA max.
Repeatability	< 3%
Consumption	Approx. 1W
Starting Override Time	Max. 90 s
Output	PNP Normally Open (closed with flow) PNP Normally Closed (open with flow) NPN Normally Open (closed with flow) NPN Normally Closed (open with flow)
Display	LED for ON or OFF state
Process Temperature	F: -4° to 160° C: -20° to 70°
Ambient Temperature	F: -4° to 160° C: -20° to 70°
Enclosure Rating	NEMA 4 (IP64)
Housing Material	Ultradur (PBTP) or Stainless Steel
Sensor Material	Ceramic with Over Glaze
Weight	CFTF-U: 0.3 lbs (130 g) CFTF-S: 0.4 lbs (200 g) without nut
<b>Cable</b>	
Cable Jacket Material	Oilflex
Cable Length	6.5' (2m)

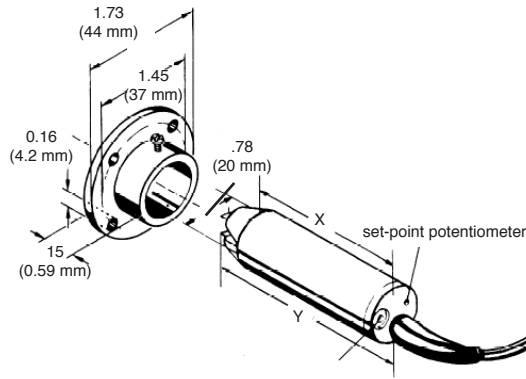
Note: Please Consult Factory for Special Requirements



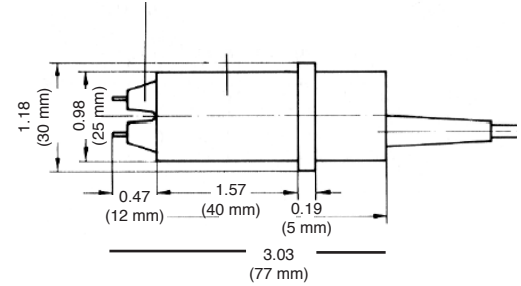
## Dimensions In (mm)

Housing	X	Y
Short	2.5" (64 mm)	3.03" (77 mm)
Long	2.91" (74 mm)	3.42" (87 mm)

**CFNF2-U: Ultradur (PBTP) Housing**  
(Installation with mounting flange)



**CFNF2-S: Stainless Steel Housing**  
(Installation with union nut)



## Ordering Information

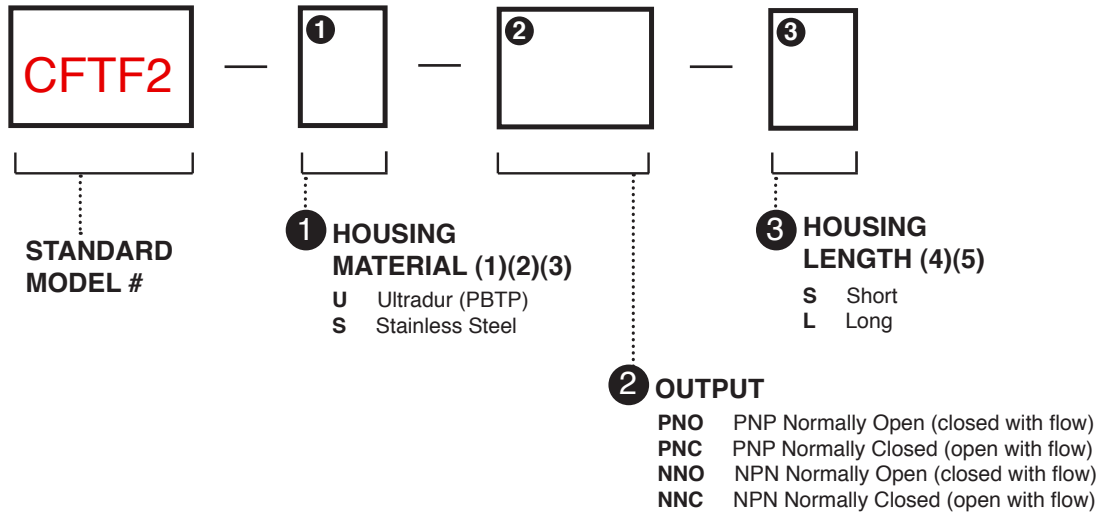
### FLO-CORP MODEL NUMBER BUILDER

For Assistance Call **330.468.0180**

Use the diagram below, working from left to right to construct your Flo-Corp Model Number.

Simply match the category number to the corresponding box number.

**Example: CFTF2-U-PNO-S** TruFlo™ DC Flow Switch, Ultradur (PBTP) Housing, PNP Normally Open Output, Short Housing



### Ordering Notes

- 1) Select the best configuration based on your requirements.
- 2) The Stainless Steel unit (CFTF-S) comes standard with NPT (US) threaded union nut for installation. To special order a BSP (Metric) threaded union nut, place BSP at the end of the P/N: (ie CFTF-S-PNO-S-BSP).
- 3) For additional mounting options, please contact factory.
- 4) Select the short housing for use with pipe sizes ½" to 1½" in diameter and the long housing for 2" and up.
- 5) Comes complete with 6.5' (2 m) pre-wired cable and manual.

Specifications are subject to change without notice.